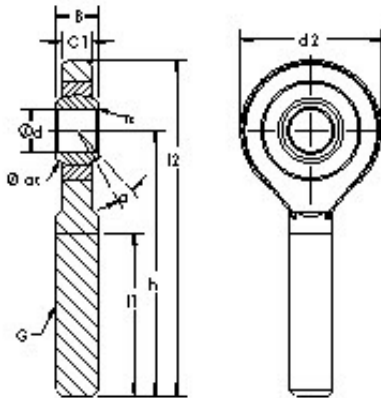




Tolamentos do Brasil Ltda



AST SA15ET-2RS plain bearings

Bearing No. SA15ET-2RS

Bore Diameter	15 mm
Width	12 mm
Bearing Type - steel-on-PTFE fabric, sealed	steel on PTFE fabric, sealed
Bore Dia (d)	15.0000
Width (B)	12.0000
Radius (min) (rs)	0.300
Dynamic Load Rating (Cr)	25,000
Static Load Rating (Cor)	32,000
Spherical Diameter (dk or Dk)	22.000
Mis-alignment Angle (a deg.)	8
Thread Length (l1)	34.000
Bore Center to End of Rod (h)	63.000
Rod Overall Length (l2)	83.000
Rod End Thickness (C1)	10.500
Bore Center to Body (l7)	21
Thread Size (G)	M15
Rod End Width (d2)	40.000
Weight (g)	120.00
Material - Body - Carbon steel-zinc plated, Ball - Hardened chrome steel-chrome plated, Liner	PTFE fabric material

SA15ET-2RS Bearing 2D drawings and 3D CAD models