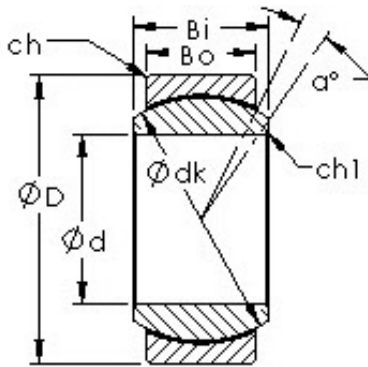




Tolamentos do Brasil Ltda



AST GEFZ11T plain bearings

Bearing No. GEFZ11T

Bore Diameter	11,1125 mm
Outer Diameter	23,01748 mm
Bearing Type	plain
Bore Dia (d)	0.4375
Outer Dia (D)	0.9062
Outer Width (Bo)	0.3430
Inner Width (Bi)	0.4370
Dynamic Load Rating (Cr)	4,271
Static Load Rating (Cor)	6,294
Max. shaft corner radius, or 45 deg. chamfer (ch1)	0.012
Max. housing corner radius, or 45 deg. chamfer (ch)	0.032
Spherical Diameter (dk or Dk)	0.687
Mis-alignment Angle (a deg.)	8
Weight (g)	21.00
Material	Outer ring made from carbon steel, inner ring is made from 52100 Chrome steel, or equivalent

GEFZ11T Bearing 2D drawings and 3D CAD models