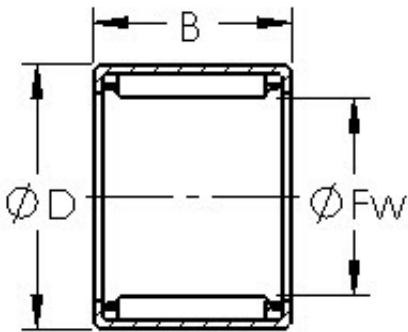




## Tolamentos do Brasil Ltda



### AST SCH1310 needle roller bearings

Bearing No. SCH1310

Bore Diameter	20,6502 mm
Outer Diameter	28,575 mm
Width	15,875 mm
Bearing Type	Cage Retained Rollers
Outer Dia (D)	1.1250
Width (B)	0.6250
Dynamic Load Rating (Cr)	3,550
Static Load Rating (Cor)	4,650
Max Speed (Grease) (X1000 RPM)	13,600
Shaft (Fw)	0.813
Weight (g)	25.00
Material - Drawn cup: Hardened carbon steel alloy, Rollers	52100 Chrome steel or equivalent

SCH1310 Bearing 2D drawings and 3D CAD models